



# PHILIPS

# SERVICE

Cryogenic Equipment / Electro Chemistry /  
Electron Optics / Electronic Weighing /  
Industrial Data Systems / Numerical Control /  
Philips Pollution Measuring / Radiation Measuring Equipment /  
Test and Measuring Equipment / Welding Equipment /  
X-Ray Analytical Equipment

equipment  
for science  
and industry

760924

TEST AND MEASURING

Cd 914

OSCILLOSCOPE WITH DIGITAL DELAY

## PM 3261

Re: Heat dissipation in power supply rectifier circuit.

The working temperature of the diodes GR1847 and GR1851 is rather high, which causes local discoloration of the p.c. board.

By heat radiation of above diodes and due to the high ripple current also the temperature of the electrolytic 68  $\mu$ F capacitors C1838 and C1841 may grow too high.

For this reason we recommend you to modify each instrument which is coming in your workshop as stated below.

Mount diodes GR1847 and GR1851 higher (approx. 1,5 cm from the p.c. board).

The best way is to use new diodes; if necessary the old diodes can be mounted with extension wires.  
Keep sufficient space between these diodes and the small c.r.t. filament supply board.

Replace C1838 and C1841 by 1,5  $\mu$ F flat-film models (100 V). It is recommended to glue or tie both capacitors together, to improve mechanical strength.

Because of the lower capacitance of C1838 and C1841, C1839 must be replaced by a 150  $\mu$ F model.

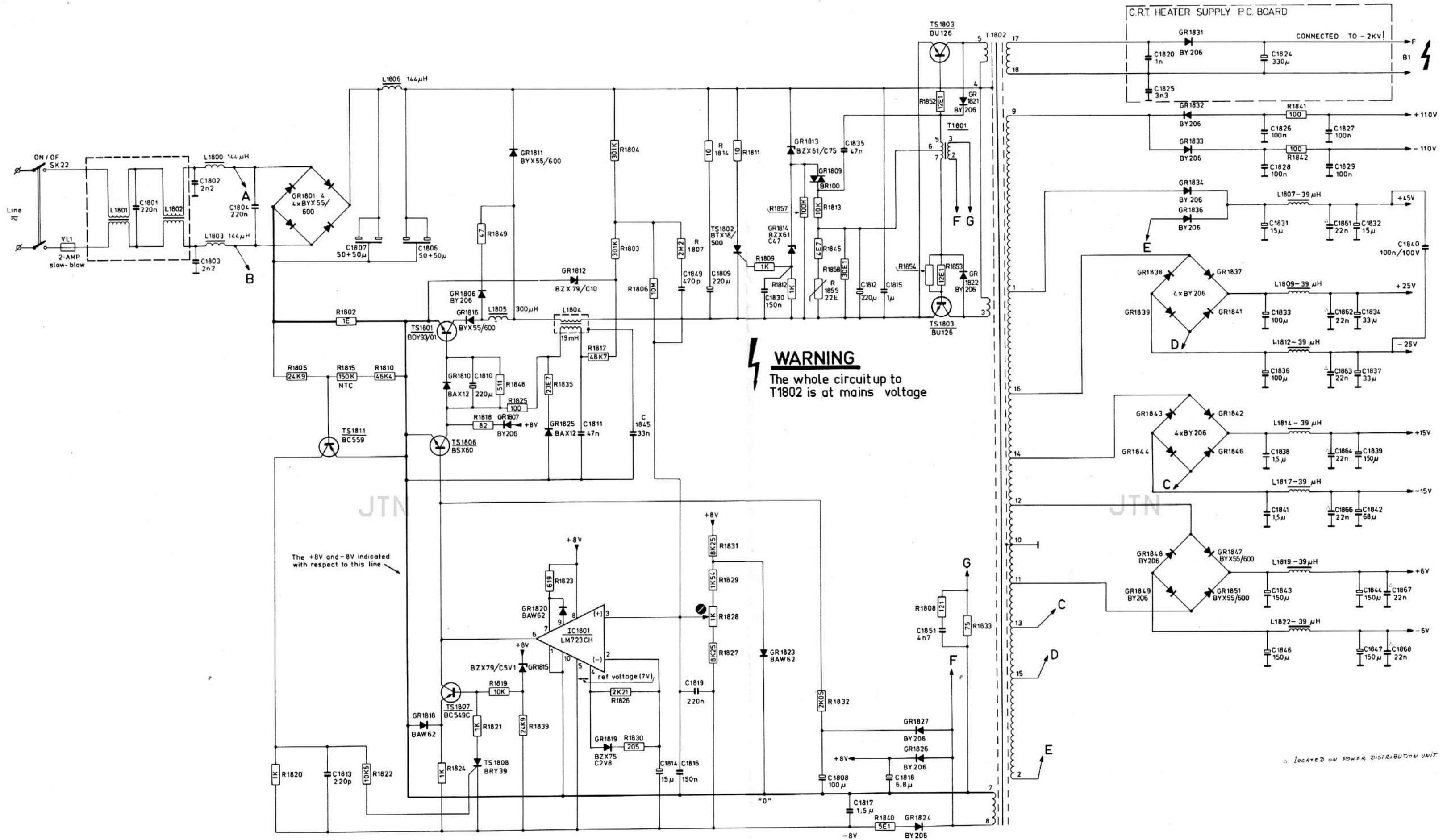
The neg. side connection wire of this capacitor can be soldered on the print conductor situated near the 6-pole socket.  
See also enclosed drawings.

Codenumbers:

GR1847, GR1851	BYX 55/600	4822 130 30817
C1838, C1841	1,5 $\mu$ F 100 V	4822 121 40452
C1839	150 $\mu$ F 16 V d.c.	4822 124 20586

Above modification has already been introduced in instruments from serial number:

D4339 for PM 3261 and  
D4376 for PM 3261Q.



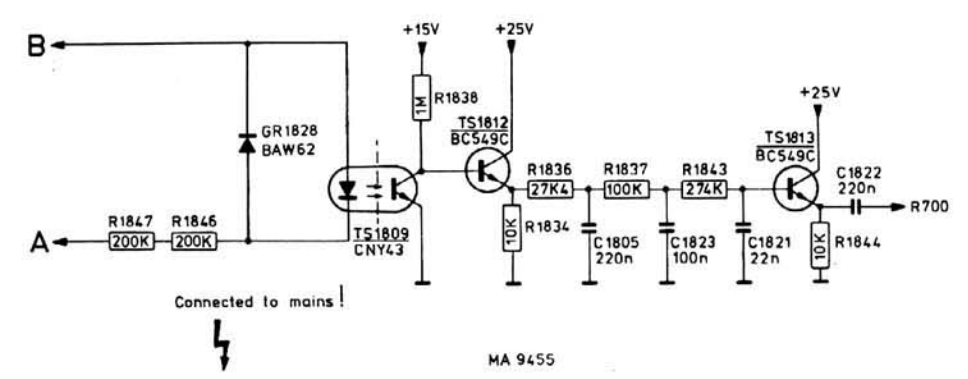
**WARNING**  
The whole circuit up to T1802 is at mains voltage

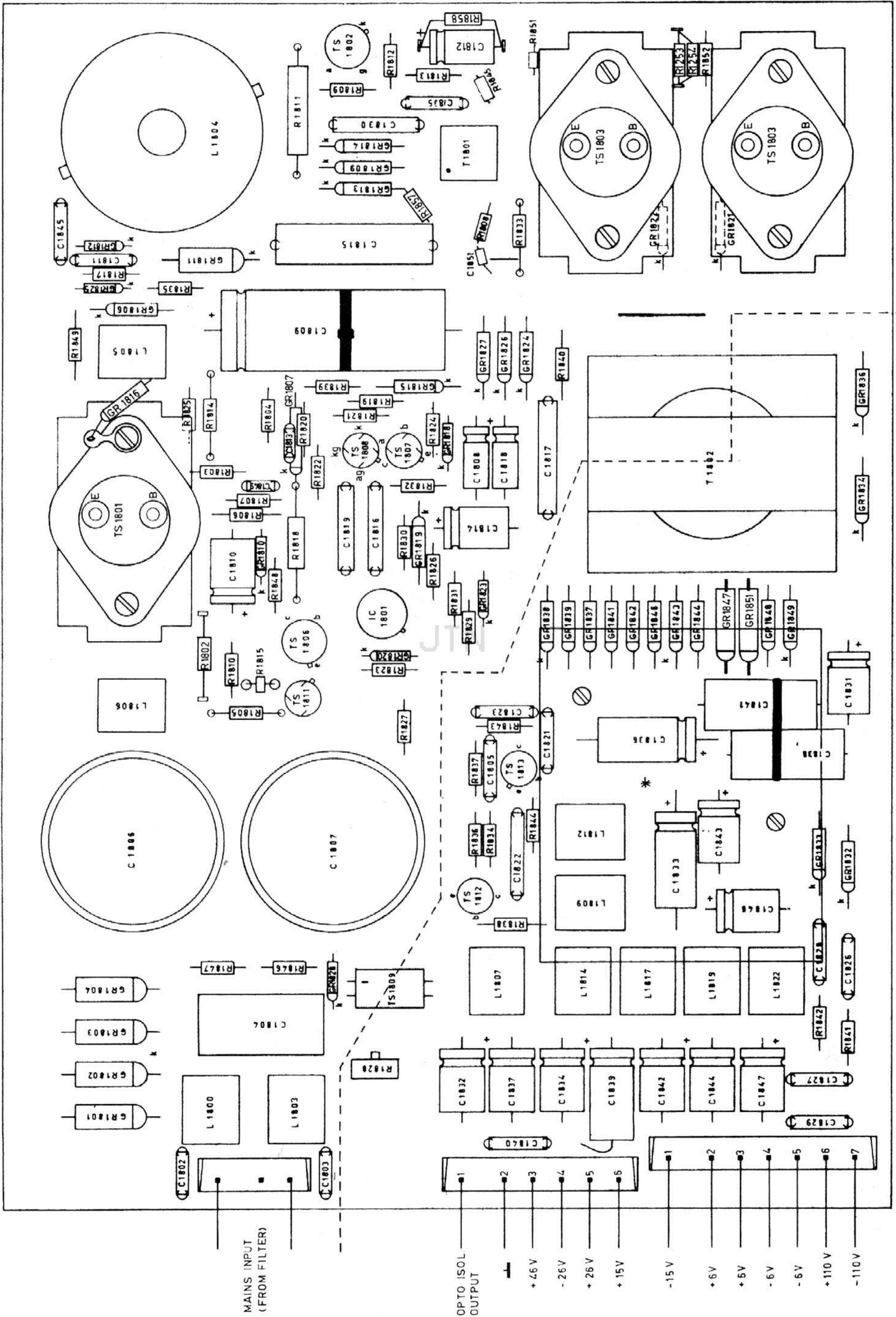
JTN

JTN

The +8V and -8V indicated with respect to this line

LOCATED ON POWER DISTRIBUTION UNIT





MA 9456

MAINS ISOLATION

\* C.R.T. HEATER SUPPLY

PM 3261 Circuit diagram power supply